

# NOMAD<sup>®</sup> 360, T32 & T56

---

200-900 | 200-900-TC | 200-9T32 | 200-9T56

PRODUCT MANUAL

# TABLE OF CONTENTS

---

## **INTRODUCTION**

---

Reference Guide	3
Overview	4
Physical Characteristics	4

## **BATTERY**

---

Charging the Battery System	5
Charging from a 12VDC Vehicle Adaptor	5
Charge Indicator	5
AC-DC Adaptor and International Use	6

## **OPERATION**

---

Operational Modes	6
Battery Life	7
Battery Life Indicator	7
Using the Nomad® while Plugged in	7

## **FEATURES**

---

Light Head Configuration	8
Sliding Diffuser Lens (Area-Spot)	8
Swivel and Tilt Light Head	9
Leveling Leg Extensions and Level Bubble	9
Anchor Strap	9

<b>DEPLOYING THE NOMAD®</b>	10-11
-----------------------------	-------

<b>ACCESSORIES (NOT INCLUDED)</b>	12
-----------------------------------	----

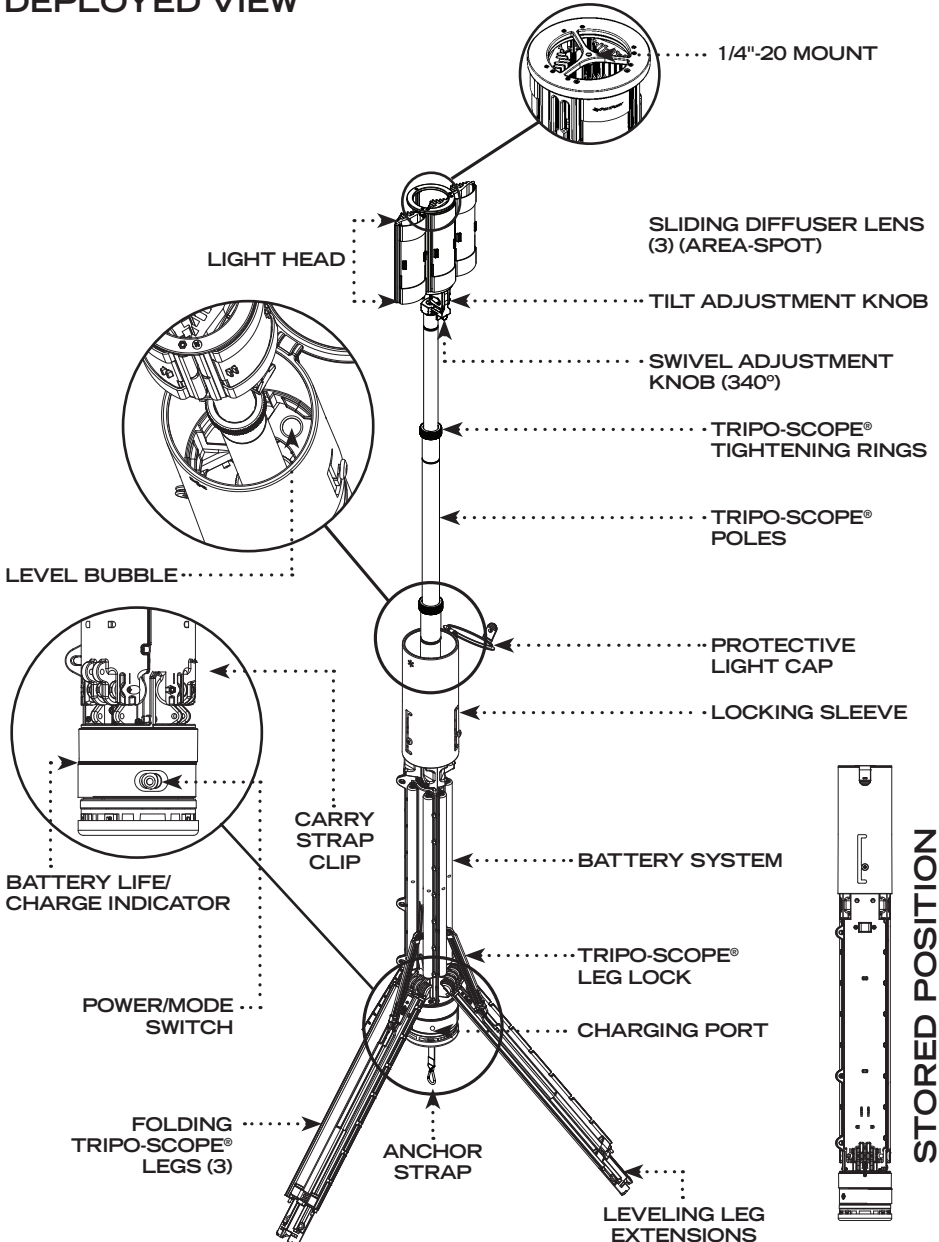
<b>MAINTENANCE</b>	12-17
--------------------	-------

<b>WARRANTY</b>	18-19
-----------------	-------

<b>CONTACT FOXFURY</b>	19
------------------------	----

# 360 REFERENCE GUIDE

## DEPLOYED VIEW



# OVERVIEW

---

The Nomad® 360 ultimate scene light can provide up to 8,000 lumens on HIGH Power. Its portable, submersible and self-contained design allows it to travel to (and be used in) places that standard scene lights and vehicle mounted lights cannot reach. In around 20 seconds, deploy the Tripo-Scope® Legs and raise the telescoping head up to 8½ ft tall to illuminate the work area. Its rechargeable and cordless design means no noisy, heavy generator is needed.

The portable Nomad® T32 & T56 deliver studio quality lighting outside of the studio. They shine bright in any weather and can even be submersed for cleaning or filming. The T32 delivers up to 7,000 lumens of 3,200 Kelvin (tungsten) light with a high CRI of 95 for precise color rendering. The T56 delivers up to 8,200 lumens with a color temperature of 5,600 Kelvin (daylight) with a high CRI of 95 for precise color rendering. Durable enough to withstand strong winds, this compact unit with Folding Tripo-Scope® Legs features a telescoping pole and a Level Bubble.

## IMPORTANT!

Please fully charge the Battery System before using the Nomad® for the first time.

# PHYSICAL CHARACTERISTICS

---

Please read below before using the Nomad® 360 as it relays beneficial operating and safety information.

## NOMAD®

---

<b>DIMENSIONS</b>	39.9 x 4.6 in (1013 x 117 mm)
<b>WEIGHT</b>	24.4 lbs (11.1 kg)

---

## WARNINGS



When used for extended periods of time the Nomad® Light Head will become HOT to the touch. Please use care when operating.



Do not stare into LEDs for long periods of time or from a close range (less than 0.6 m).

# CHARGING THE BATTERIES

---

1. Start with the AC Cable. Connect it to the AC-DC Adaptor.
  - ❖ The AC Cable is Universal to NEMA 5-15P, 3 prong for USA and will work with a power range of 100VAC-240VAC 50/60 Hz.
2. Then, plug the Barrel Connector (part of the AC-DC Adaptor) into the Charging Port of the Nomad®.
  - ❖ Input voltage: 11-17VDC. Do NOT exceed!
  - ❖ The Nomad® 360 is shipped with a 30% charge. It is important to charge it before using for the first time.
  - ❖ When the Charge Indicator FLASHES green it indicates that the battery is being charged. When the Nomad® is completely charged, the Charge Indicator will turn SOLID green.
  - ❖ Charging time will be approximately 7 hours.

## CHARGING FROM A 12VDC VEHICLE ADAPTOR

1. Insert the 12VDC Vehicle Adaptor into a 12V Socket (located within the vehicle).
2. Then, insert the opposite end (Barrel Connector) into the Charging Port of the Nomad® .

NOTE: Do NOT start vehicle while the Nomad® is being charged or when using while plugged in.

## CHARGE INDICATOR (FOR LOCATION, PLEASE REFERENCE PAGE 3)

COLOR	DESCRIPTION
GREEN (SOLID)	FULLY CHARGED
GREEN (FLASHING)	CHARGING
RED (SOLID)	CHARGING ERROR

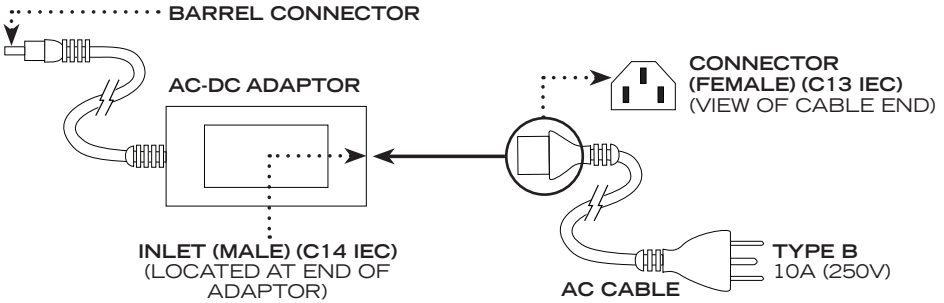
\*If a charging error occurs, please contact FoxFury Customer Service (see pg. 19).

### WARNINGS:

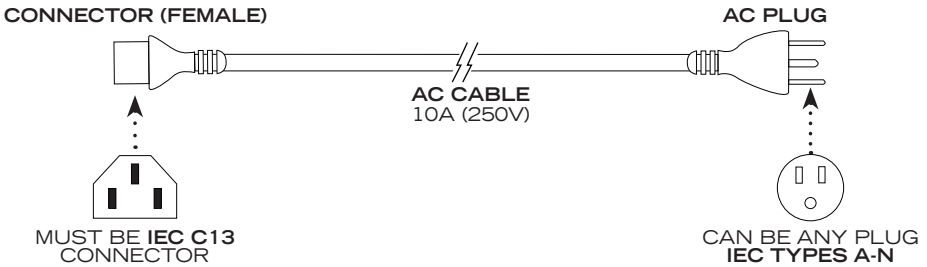
- Please DO NOT leave AC-DC Adaptor plugged in for more than eight (8) continuous hours.
- Continuously charging (leaving the unit plugged in) could damage the Battery Pack and lead to a decreased battery life.
- Extended periods of charge could also result in the batteries being placed in thermal runaway mode.
- Use of any non FoxFury supplied AC-DC charger will Void Product Warranty.

## AC-DC ADAPTOR AND INTERNATIONAL USE

The Nomad® Series has a AC-DC Adaptor which uses AC Cables like those used in desktop computers or monitors. With every Nomad®, FoxFury supplies a cable that terminates in the USA standard 110 VAC plug.



The plug of the AC Cable should be country specific. Example: IEC Types A-N. The Female Connector side of the AC Cable must be IEC Type C13 to mate with the Male Inlet of the AC-DC Adaptor.



## OPERATIONAL MODES

- 🔌 ON/LOW mode: Press the Power/Mode Switch once.
- 🔌 MEDIUM mode: From LOW mode, press the Power/Mode Switch once.
- 🔌 HIGH mode: From MEDIUM mode, press the Power/Mode Switch once.
- 🔌 \*FLASHING mode: From HIGH mode, press the Power/Mode Switch once.
- 🔌 OFF: From FLASHING mode, press the Power/Mode Switch once.

\*Flashing Mode not available on the Nomad® T32 & T56.

NOTE: The light does not retain the mode in memory. Once the light is ON, re-select the mode desired.

## BATTERY LIFE

MODE	BATTERY LIFE	360 LUMENS	T32 LUMENS	T56 LUMENS
HIGH POWER	3 hours	8,800	7,000	8,200
MEDIUM POWER	9 hours	2,640	2,800	3,200
LOW POWER	24 hours	990	800	900
FLASHING	9 hours	8,800	N/A	N/A

\*Battery life may vary according to age and ambient conditions.

\*\*Flashing Mode not available on the Nomad® T32 & T56.

## BATTERY LIFE INDICATOR (FOR LOCATION, PLEASE REFERENCE PAGE 3)

COLOR	DESCRIPTION
GREEN	FULL BATTERY
ORANGE	CAUTION—BATTERY IS GETTING LOW
RED (FLASHING)	CHARGE IMMEDIATELY

## USING THE NOMAD® WHILE PLUGGED IN

The Nomad® can run continuously by plugging it into a power source.

1. Start with the AC Cable. Connect it to the AC-DC Adaptor.
2. Then, plug the Barrel Connector (part of the AC-DC Adaptor) into the Charging Port of the Nomad®.
3. Press the Power/Mode Switch. The light will then turn ON.
  - ❖ The Nomad® must be turned OFF in order to charge the Battery System. If it is plugged in and the Nomad® is ON, the battery is NOT being charged.
  - ❖ As long as the unit is plugged into a power source, (even if it has a very low power) the light can be turned ON.
  - ❖ Input voltage: 11–17VDC. Do NOT exceed!

NOTE: The Nomad® will NOT accept a 24VDC input.

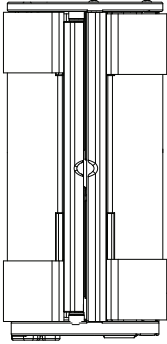
# FEATURES

---

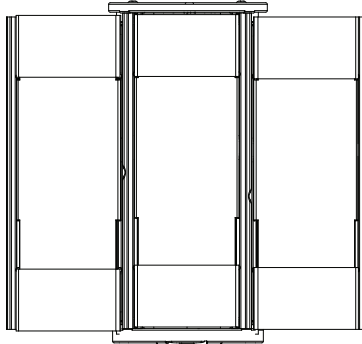
## LIGHT HEAD CONFIGURATION

The Nomad® Light Head has the versatility to be used in a 360° or Directional configuration.

**360°**



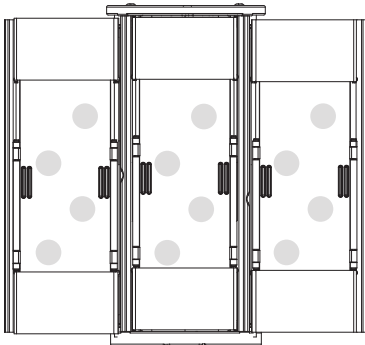
**DIRECTIONAL**



## SLIDING DIFFUSER LENS (AREA-SPOT)

Using the Sliding Diffuser Lens on the Nomad® provides two types of lights in one. To decrease diffusion, simply slide the Diffuser Lens up (Spot), or increase diffusion by sliding the Diffuser Lens down (Area).

**AREA**



**SPOT**

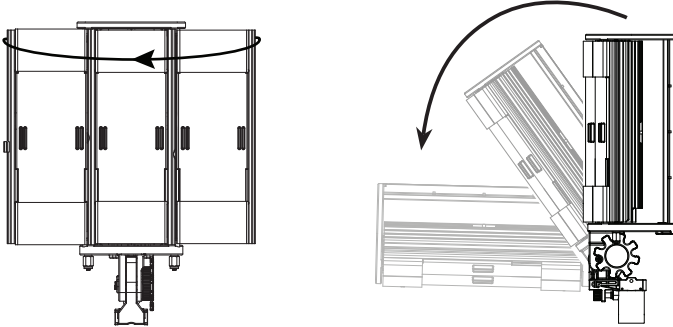


NOTE: The Sliding Diffuser Lens can be removed and cleaned for maintenance. Please reference pg. 15.



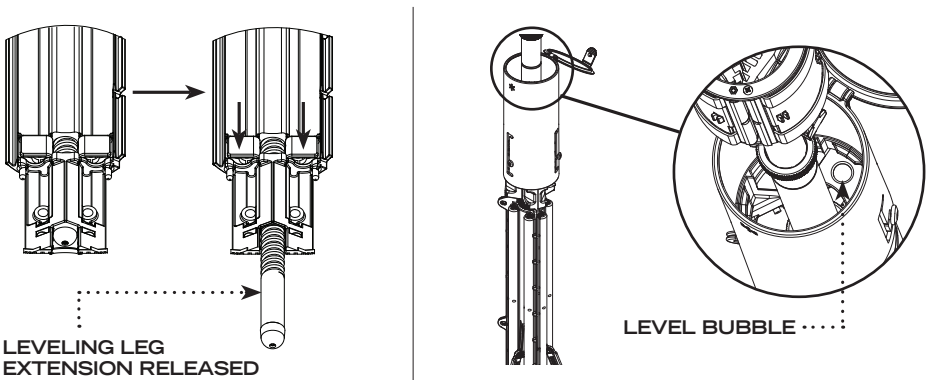
## SWIVEL AND TILT LIGHT HEAD

The Nomad® Light Head has the versatility to swivel (via the Swivel Adjustment Knob) and tilt (via the Tilt Adjustment Knob).



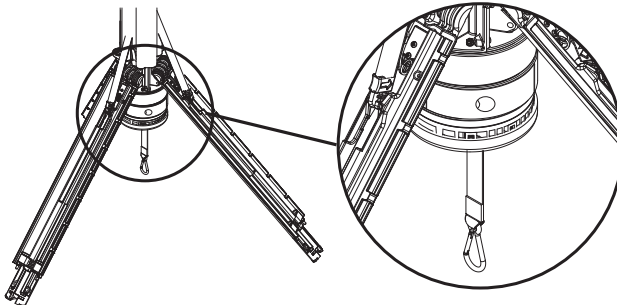
## LEVELING LEG EXTENSIONS AND LEVEL BUBBLE

On uneven ground, fine adjustments can be made by releasing the Leveling Leg Extensions. The Level Bubble can be used for reference.

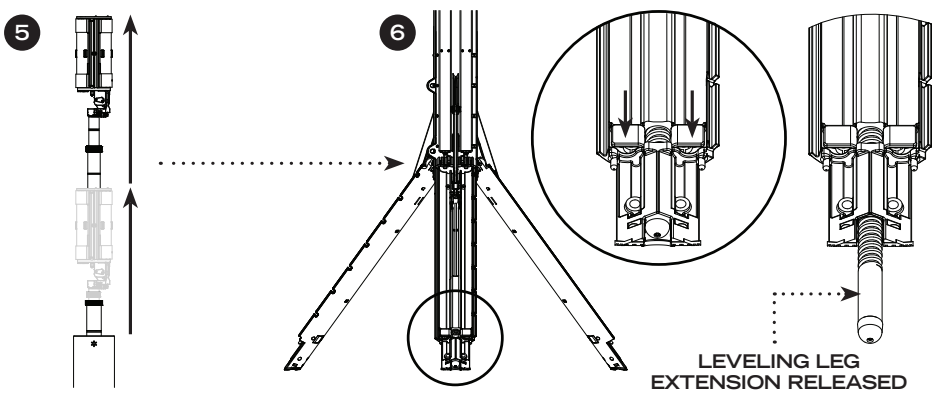
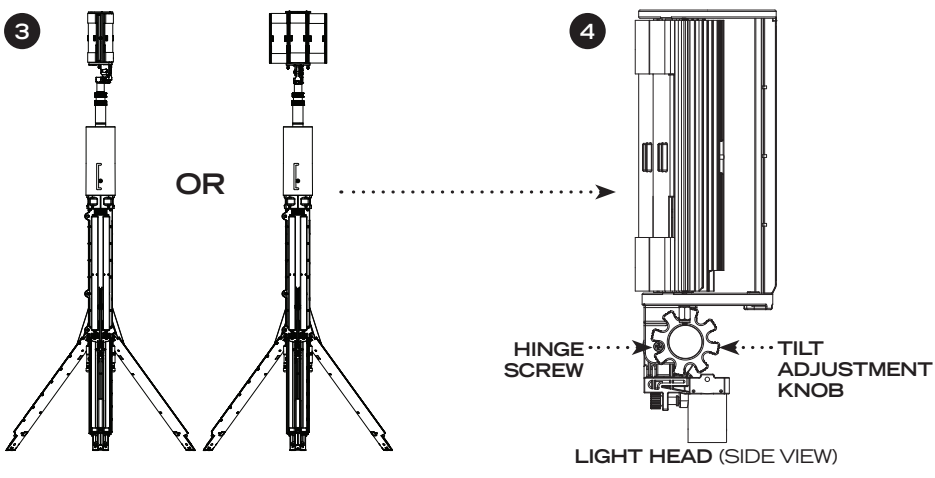
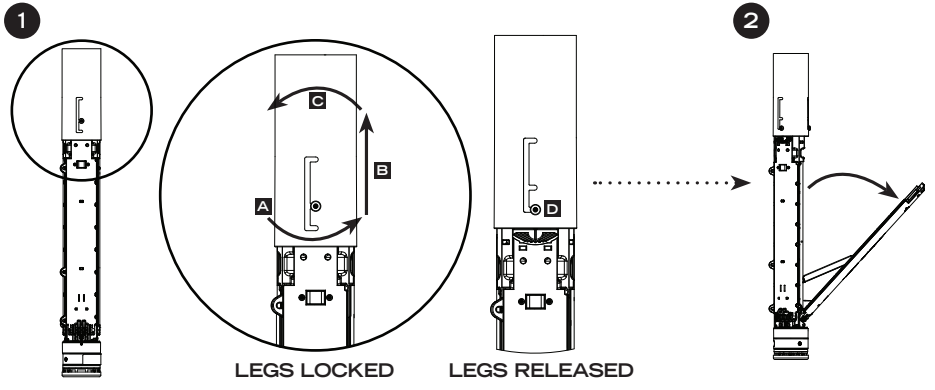


## ANCHOR STRAP

In case of heavy wind or extreme weather conditions, attach a sand bag, or equivalent weight, to the concealed Anchor Strap (see the "Reference Guide" on pg. 3 for location).



# DEPLOYING THE NOMAD®



- 1 Set the Nomad® down vertically, on a flat surface, as shown. Open the Protective Light Cap and twist the Locking Sleeve to the right (A) and slide upwards (B). While still holding the Locking Sleeve up, twist it back to the left (C). The Folding Tripo-Scope® Legs are now accessible to deploy (D).
- 2 Unfold each Tripo-Scope® Leg and make sure they are locked in place by the Leg Locks (see the "Reference Guide" on pg. 3 for location).
- 3 Pull the Light Head up from inside the Locking Sleeve. Keep the Light Panels as they are for a 360 configuration or, open the Light Panels for a Directional configuration. Then, based on preference or need, adjust the Sliding Diffuser Lens to either Area or Spot lighting (see "Sliding Diffuser Lens" on pg. 8 for more information).
- 4 Adjust the angle and swivel position of the Light Head by loosening the Tilt Adjustment Knob to the desired orientation and then re-tighten.
  - ❖ Light Head placement and adjustment can be made easier by tightening the Hinge Screw (located near the Tilt Adjustment Knob).
- 5 Elevate the Light Head to desired height by raising the Tripo-Scope® Poles. Tighten the Tripo-Scope® Tightening Rings (clockwise) to hold the poles at desired height.
  - ❖ **IMPORTANT:** To reposition, loosen the Tightening Rings, bring the Tripo-Scope® Poles down again, and turn the Light Head OR physically pick up and move the position of the whole Nomad® 360. **DO NOT TRY TO TURN THE TRIPO-SCOPE® POLES AGAINST EACH OTHER.** This can cause permanent damage.
- 6 On uneven ground, adjust each Tripo-Scope® Leg individually, as necessary. Lift the leg off the ground, and then, using both thumbs, press and hold both of the Leg Extension Release Tabs until the Leveling Leg Extensions (located at the end of each of the Tripo-Scope® Legs) are released. Retract the Leveling Leg Extensions in the same manner.
  - ❖ Fine adjustment can be made by turning the Leveling Leg Extensions. Use the Level Bubble for reference.
  - ❖ In case of heavy wind or extreme weather conditions, attach a sand bag, or equivalent weight, to the concealed Anchor Strap (see the "Reference Guide" on pg. 3 for location).

THE NOMAD® IS NOW READY FOR USE!

# NOMAD® ACCESSORIES

---

## MOUNT CLAMPS (SET OF TWO (2) P/N 850-800)

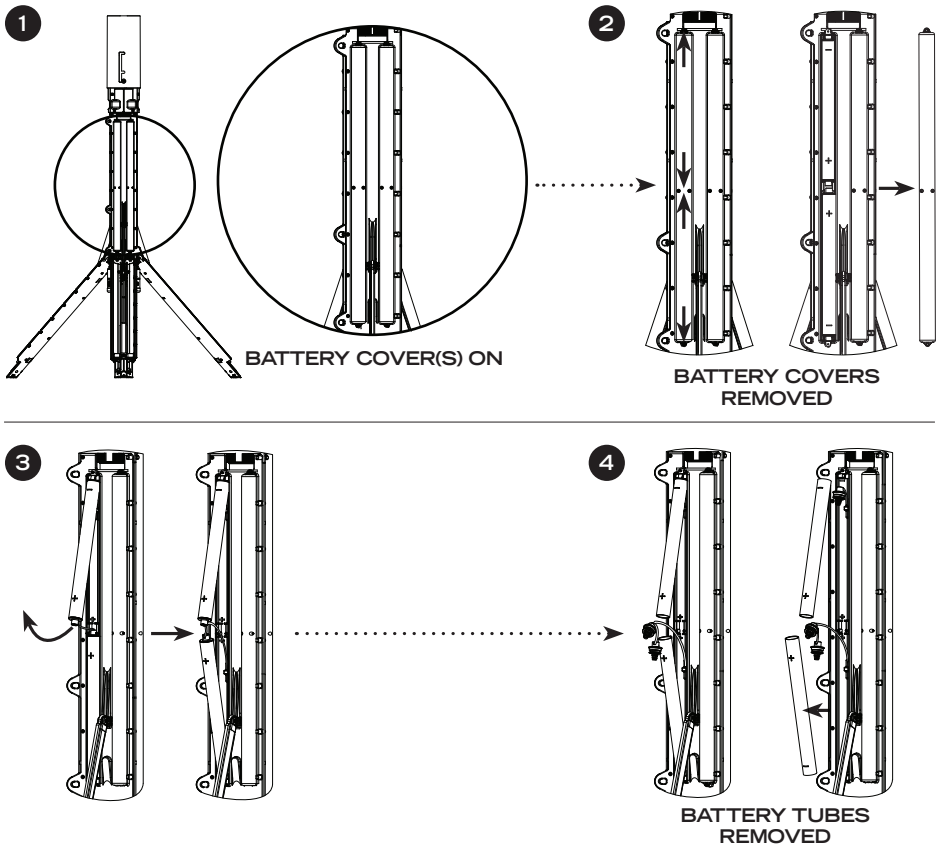
These allow the Nomad® to be mounted to any hard surface such as a tailgate or wall via #10 Bolts (not included).

## MAINTENANCE

---

### REMOVING THE BATTERY TUBES | 30 MINS (APPROX)

The Nomad® uses 12 Battery Tubes. Repeat the following steps six (6) times in order to replace all 12 Battery Tubes.



Make sure the Nomad® is OFF and UNPLUGGED before starting.

- 1 Open the Folding Tripo-Scope® Legs so they are locked and deployed. Then, locate a Battery Cover.
- 2 Use a Phillips Head (+) #1 Screwdriver to remove the four (4) screws that hold the Battery Cover. Once the screws are removed, pull the Battery Cover off and set it aside.

❖ IMPORTANT: There are two (2) Battery Tubes (the UPPER and LOWER) under each one (1) of the Battery Covers.

Once the Battery Cover is removed, the Battery Tube is accessible. Start with the UPPER battery first.

- 3 At the BOTTOM of the UPPER Battery Tube, there will be a red (positive) Battery Tube Cap. Place an index finger on it, push the red Cap up, and pull it forward (this should help the top portion of the Battery Tube to easily slide out of the Battery Compartment). This action is similar to removing a AA battery from any generic battery holder.

❖ To easily remove the Battery Tube from the Nomad® Body, it is best to push the red Battery Tube Cap up and pull it out (at a 20° angle).

❖ NOTE: The wiring for the positive (+) and negative (-) Caps will remain attached to the Nomad® Body while the Battery Tube is pulled out of the Battery Compartment.

Once the UPPER Battery Tube is removed, repeat steps 1–3 for the LOWER Battery Tube. NOTE: While pulling the UPPER Battery Tube out, the LOWER Battery Tube may come out at the same time.

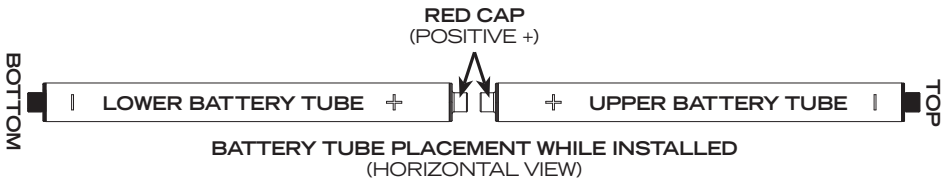
- 4 Remove the Battery Tube Caps (red and black) from each end of the Battery Tube. This can be done by simply popping the Battery Tube Cap off with one thumb.

❖ DO NOT pull the Battery Tube Caps by the wires.

REPEAT STEPS 2–4 FOR THE REMAINING BATTERIES.

## INSTALLING THE BATTERY TUBES | 30 MINS (APPROX)

Installing the Nomad® Battery Tubes follows the same procedures as removing them but in reverse order.



---

### WARNINGS



Be sure to check polarity (positive + and negative -) when installing the Battery Tubes.

---

- 1 Start with the LOWER Battery Tube. Attach the black Cap to the NEGATIVE end of the Battery Tube. While holding the Cap in place, reinsert it into the Battery Compartment.
- 2 While still applying pressure to the bottom Cap, attach the red Cap to the opposite end (POSITIVE end) of the Battery Tube. Once secure, push down again and slide the Battery Tube back into place in the Battery Compartment.
  - ❖ IMPORTANT: Be sure to place the red and black wires directly behind the Battery Tube before re-installing it into the Battery Compartment. This will prevent the wires from being damaged, and it will help the Battery Tube go back into place easier.
- 3 Once the Battery Tubes are installed, test the Nomad® to make sure it turns ON. If it does not, check the Battery Tubes for any connection errors with the positive (+) and negative (-) ends. Then, place the Battery Cover back over the Battery Tubes and tighten the four (4) screws into place.

### NOTES

---

---

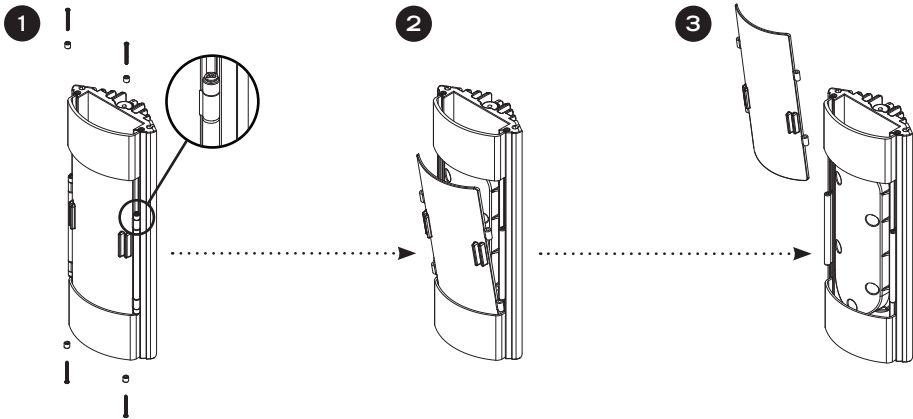
---

---

---

---

## REMOVING THE SLIDING DIFFUSER LENS | 3 MINS (APPROX)



- 1 Slide the Sliding Diffuser Lens back into the 'Area' setting. Locate and remove the four (4) screws located on each side of it.
- 2 Then, tilt the Sliding Diffuser Lens forward.
- 3 Pull the Sliding Diffuser Lens out and free from the Light Head.

NOTE: Repeat the steps above three (3) times with all three (3) Light Panels (the Nomad® has three (3) Sliding Diffuser Lenses).

FOR RE-INSTALLATION: Repeat the steps above in reverse order.

## GENERAL MAINTENANCE TIPS

- ❖ The Nomad® reaches a full charge in approximately 7 hours. (Charge time may depend on ambient conditions and battery health).
- ❖ Maintain the light fully charged at all times, so that it is ready for use in the event of an emergency.
- ❖ If used outdoors in cold weather for an extended period of time allow the Nomad® to warm up to above 10°C/50°F before charging.
- ❖ Lithium-Ion batteries have a 500 full charge cycle life (CC followed by a CV cycle)\*. When the light gets near this number of cycles, there will be a decrease in usage time. \*CC=Constant Current charge (fast rate).
- ❖ The lithium-Ion batteries have a top-off or micro-charge life of around 1,200 cycles or more (CV only)\*. If the Nomad® is unused for 60 to 90 days, plug in the AC-DC Adaptor for 1 to 2 hours to bring the batteries back up to peak charge. \*CV=Constant Voltage charge (slow rate).

- ❖ As needed, wash the Nomad® using a soft washcloth, clean water and a mild soap. When done, pat dry with a soft cloth.
- ❖ When charging your Nomad®, keep the temperature between 32°F and 113°F (0°C and 45°C).

## **STORING YOUR NOMAD®**

- ❖ Make sure the light is powered OFF by pressing the Power/Mode Switch until the light is no longer ON.
- ❖ Be sure to CLOSE the Light Panels back into the 360 configuration BEFORE lowering the Tripo-Scope® Poles.
- ❖ Put the Nomad® back into the Stored Position. Lower the Tripo-Scope® Poles by untightening the Tripo-Scope® Tightening Rings. Then, push the Light Head back into the Locking Sleeve.
- ❖ If the AC-DC Adaptor or 12VDC Vehicle Adaptor is being used, disconnect it from the Nomad® and store.

## **WARNINGS WHEN STORING**

- ❖ The Nomad® depends on “ambient air” for cooling of its Light Head. After being ON for a while, the Nomad® 360 Heatsink Fins (which help disperse heat) behind the Light Head will become warm to the touch (possibly hot) depending upon the run time, setting, and/or air temperature. The warmer the ambient air temperature is, the faster the head's temperature will increase.
- ❖ When it is time to put the Nomad® away, either wait for the unit to cool off (usually 10–20 min) or protect hands (with work gloves or a cloth) when adjusting the Light Head.

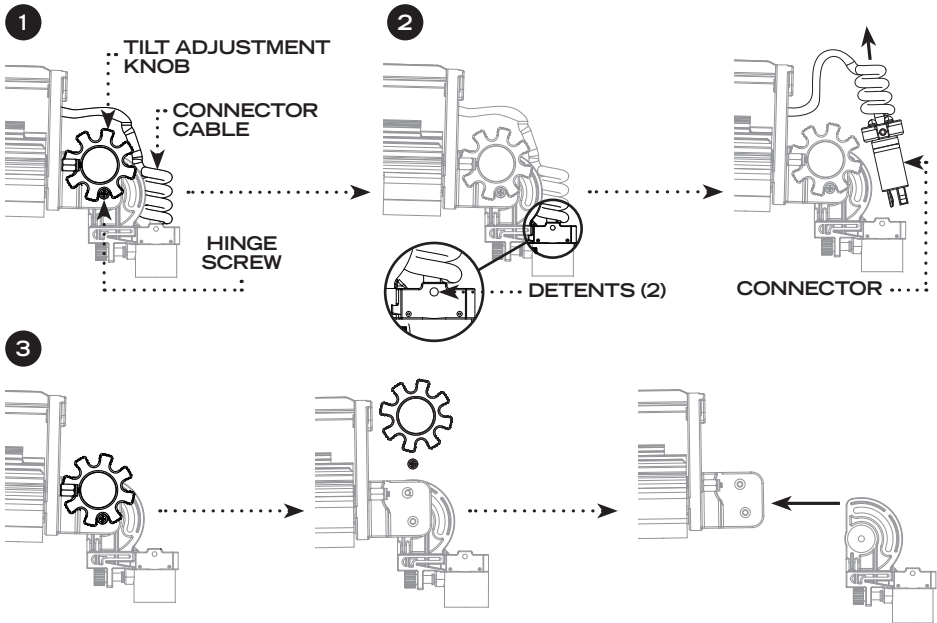


## MODULARIZED REPLACEMENTS

The Nomad® Light Head is can be replaced if another color temperature is needed, or if the unit is damaged or requires service. Please contact FoxFury Customer Service (see pg. 19) for more information.

NOTE: Replace Nomad® 360 Heads only with other Nomad® 360 Heads. Replace Nomad® T32 and T56 Light Heads only with other Nomad® T32 or T56 Light Heads.

## REPLACING THE LIGHT HEAD | 4 MINS (APPROX)



- 1 Tilt the Light Head forward for easier access to the Connector.
- 2 Use a small screwdriver to press the spring-loaded Detent (two (2) total). (They are located on each side of the Connector). Press the Detent on one side while pulling on the Connector Cable with minimal pressure. Keep pressure maintained while pressing the Detent on the opposite side. The Detent Cover will come loose allowing the Connector to be removed.
- 3 Remove the Tilt Adjustment Knob (by twisting it until it comes off) and Hinge Screw (using a Phillips Head (+) screwdriver) (reference Step 4 on pg. 10 for location). Use caution when removing the Hinge screw as the Light Head will no longer be connected to the Tripo-Scope®.

FOR RE-INSTALLATION: Repeat steps 1-3 in reverse order. Note the orientation of the Connector when re-installing.

# WARRANTY AND OTHER INFORMATION

---

## PRODUCT DURABILITY



3 M



1 M



IPX7



## CARE/CLEANING

Your FoxFury product is a professional tool. Regular maintenance and care of your light will maximize performance for you. As needed, wash your FoxFury product using a soft washcloth, clean water and a mild soap. Be sure that all parts are reassembled securely before washing. When done, pat dry with a damp cloth.

## INCLUDED

- ❖ Nomad® 360 AC-DC Adaptor, P/N 51-074
- ❖ 12VDC Vehicle Adaptor, P/N 51-078
- ❖ AC Cable, P/N 51-072
- ❖ Nomad® Carry Strap, P/N 51-056
- ❖ Color Bands, P/N 85-070 (with 360 only)
- ❖ 3M Reflective (Yellow) Safety Tape Strips, set of 3, P/N 70-125
- ❖ 3M Reflective (Yellow) Safety Stickers, set of 3, P/N 70-126
- ❖ Accessories Bag, P/N 600-250

## AVAILABLE ACCESSORIES

- ❖ Nomad® 360, T32, and T56 AC Adaptor-DC Cord Set, P/N 600-121
- ❖ Nomad® 360, T32 and T56 Battery Replacement P/N 600-200-900
- ❖ Nomad® Carry Strap, P/N 51-056
- ❖ Nomad® Mount Clamps, set of 2 P/N 850-800

- ❖ Nomad® Carrying Bag, P/N 850-200-800
- ❖ Multi Nomad® Case, P/N 80-007
- ❖ Accessories Bag, P/N 600-250
- ❖ 3M Reflective (Yellow) Safety Tape Strips, set of 3, P/N 70-125
- ❖ 3M Reflective (Yellow) Safety Stickers, set of 3, P/N 70-126
- ❖ Color Bands, P/N 85-070

## WARNINGS

FoxFury, LLC is not responsible for the incorrect use of any FoxFury Lighting product.

When used for extended periods of time the Nomad® will become HOT to the touch. Please use care when operating.

Lights are strong enough to cause damage to the human eye.

Do not stare into LEDs for long periods of time or from a close range (less than 2 ft).

FoxFury, LLC is not responsible for any injury or damage caused during the use of this product.

Usage of this product must be supervised by an adult when it is being used by a minor.

Any FoxFury product should be operated at speeds safe enough to maneuver around surrounding obstacles.

Do not use under the influence of drugs or alcohol.

## LIMITED LIFETIME WARRANTY

FoxFury, LLC ("FoxFury") warrants this product to be free from defects in material for a lifetime of use except for batteries, LEDs, abuse, and

normal wear. Mechanical components subjected to constant deformation or action, like springs and switches, and electronic components including chargers and LEDs are warranted for a period of two years from the time of purchase. FoxFury will repair or replace a product should it be determined defective.

Rechargeable batteries are consumable items, and carry a pro-rated 2 year warranty. Example: If a problem arises after one year of use, only 50% of the replacement cost will be charged, as long as the batteries are verified to have been charged, stored, and used in accordance with required practices.

This limited lifetime warranty is given only to the original end user of the accompanying product. If you purchased a product from someone other than an authorized FoxFury reseller/distributor or if the product was used, (including but not limited to demo models, show models or refurbished product by someone other than FoxFury) prior to your purchase, you are not the Original Purchaser and the product that you purchased is not covered by this warranty. This limited warranty is VOID if this Product has been altered or modified in any way (including but not limited to attempted warranty repair without authorization from Foxfury and/or alteration/removal of the serial number). To expedite warranty concerns, we encourage the end user to register their FoxFury Product at [www.foxfury.com/pages/warranty-registration](http://www.foxfury.com/pages/warranty-registration).

**THIS IS THE ONLY WARRANTY,  
EXPRESSED OR IMPLIED,**

**INCLUDING ANY WARRANTY OF  
MERCHANTABILITY OR FITNESS  
FOR A PARTICULAR PURPOSE.  
INCIDENTAL, CONSEQUENTIAL  
OR SPECIAL DAMAGES ARE  
EXPRESSLY DISCLAIMED EXCEPT  
WHERE SUCH LIMITATION IS  
PROHIBITED BY LAW.**

You may have other specific legal rights which vary by jurisdiction. Go to [www.foxfury.com/pages/warranty](http://www.foxfury.com/pages/warranty) for a complete copy of the warranty. Retain your receipt for proof of purchase.

## **CONTACT FOXFURY**

FoxFury, LLC  
Oceanside, CA 92056 USA

**Toll-Free:** 844-FOXFURY

**Tel:** 760.945.4231

**Fax:** 760.433.3650

**Email:** [service@FoxFury.com](mailto:service@FoxFury.com)

**Web:** [FoxFury.com](http://FoxFury.com)

All FoxFury products are designed in Oceanside, CA. All FoxFury products are manufactured with the highest quality USA and foreign parts. Products are assembled in either FoxFury's controlled plant in Asia or the USA, under strict quality control.

## **CALIFORNIA PROPOSITION 65**

This product can expose you to chemicals including Lead and DEHP, which are known to the State of California to cause cancer and birth defects or other reproductive harm. For more information go to [www.P65Warnings.ca.gov](http://www.P65Warnings.ca.gov).

