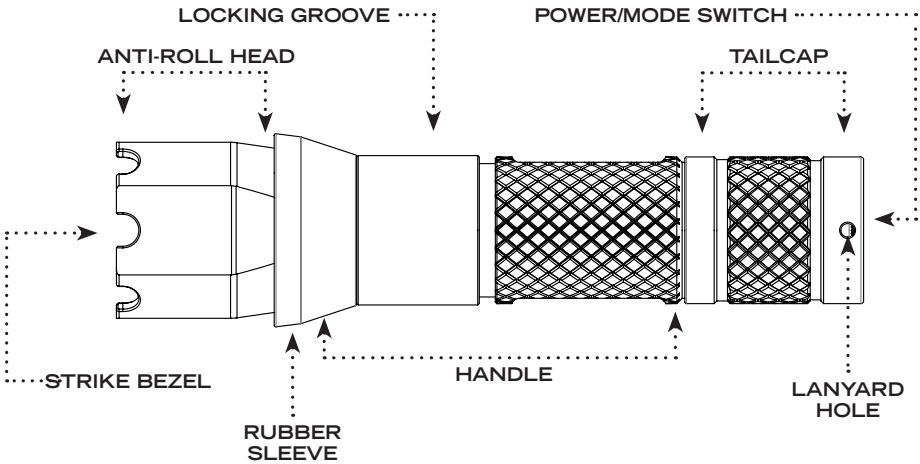


SIDESLIDE SERIES

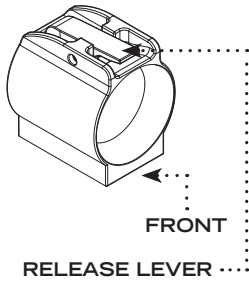
C-CLAMP 940K-010FI | BOLT 940K-010RSC | PICATINNY 940K-010PIC

PRODUCT MANUAL

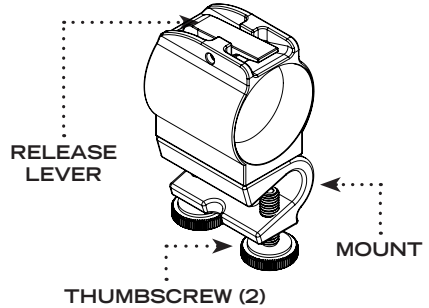
SIDESLIDE REFERENCE GUIDE



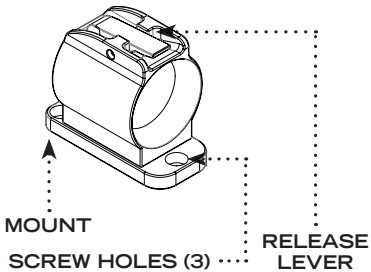
HOLDER



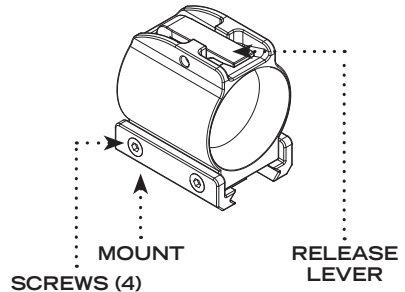
C-CLAMP MOUNT



BOLT MOUNT



PICATINNY MOUNT



PHYSICAL CHARACTERISTICS

Please read below before using your SideSlide as it relays beneficial operating and safety information.

FLASHLIGHT (940-010FI OR 940-012)

DIMENSIONS	Length: 5.5 in (140 mm) Handle Diameter: 1.1 in (28 mm) Head Diameter: 1.3 in (33 mm)
WEIGHT (without battery)	5.3 oz (150 g)

These application-specific SideSlide mounts allow the flashlight to be secured to the Holder for quick and easy hands-free use.

C-CLAMP MOUNT (85-010)

DIMENSIONS	1.5 x 2.8 x 1.6 in 38 x 71 x 41 mm
WEIGHT	3.7 oz (105 g)

BOLT MOUNT (85-011)

DIMENSIONS	1.5 x 2.0 x 2.4 in 38 x 51 x 61 mm
WEIGHT	2.9 oz (82 g)

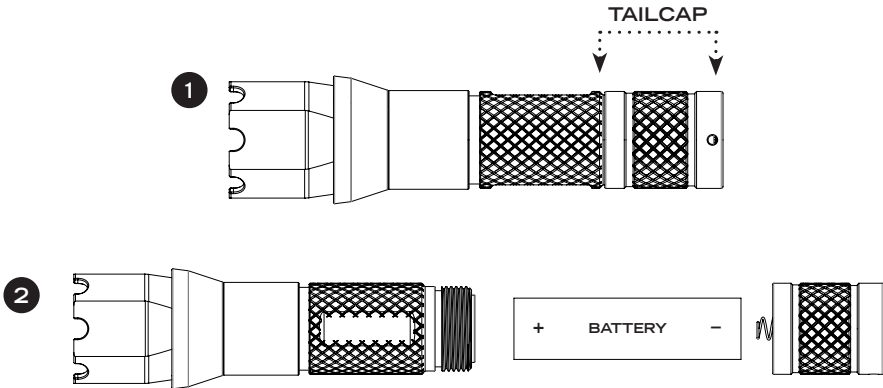
PICATINNY MOUNT (85-012)

DIMENSIONS	1.5 x 1.8 x 1.9 in 38 x 46 x 48 mm
WEIGHT	2.5 oz (71 g)

BATTERIES

- ❖ The SideSlide Series flashlight requires one (1) 18650 battery or two (2) CR123 batteries.
- ❖ Mixing of new and used, or different brand batteries is not recommended as this could lead to leakage or explosion.

BATTERY INSTALLATION AND REPLACEMENT



1. Twist the Tailcap in a counter-clockwise direction to remove it.
2. Insert the battery with the positive end first. (Respect appropriate polarity when installing).
3. Re-install the Tailcap by twisting it in a clockwise direction back onto the Handle. (Make sure the Tailcap is tightly sealed).
4. Test the light's performance and function by activating the Power/Mode Switch (located at the end of the Tailcap).

BATTERY LIFE (940K-010FI & 940K-010RSC)

MODE	BATTERY LIFE	LUMENS
HIGH POWER	3.5 hours	275
LOW POWER	8 hours	70
FLASHING	5 hours	275

BATTERY LIFE (940K-010PIC)

MODE	BATTERY LIFE	LUMENS
MOMENTARY	3 hours	490
CONTINUOUS ON HIGH	3 hours	490
CONTINUOUS ON LOW	10 hours	120
TURBO-STROBE™	5 hours	490

*Battery life may vary according to mode selected, battery quality and prevailing ambient conditions.

OPERATIONAL MODES

FOR THE C-CLAMP AND BOLT MOUNTS:

- ❖ For HIGH mode: Press the Power/Mode Switch once.
- ❖ For LOW mode: Press and hold the Power/Mode Switch for 2.0–2.5 sec.
- ❖ For FLASHING mode: While in LOW mode, press and hold the Power/Mode Switch for an additional 2.0–2.5 sec.

FOR THE PICATINNY MOUNT:

- ❖ For MOMENTARY mode: Press and hold the Power/Mode Switch. While the Switch is depressed, the flashlight will operate in HIGH mode. When the user removes pressure from the Switch, the light will turn OFF.
- ❖ For CONTINUOUS ON HIGH mode: Press the Power/Mode Switch two (2) times in rapid succession. The light will remain in this mode.
- ❖ For CONTINUOUS ON LOW mode: Press the Power/Mode Switch two (2) times in rapid succession and hold until light goes to low mode.
- ❖ For TURBO-STROBE™: Press the Power/Mode Switch three (3) times in rapid succession.
- ❖ For OFF or EXIT a mode: Press the Power/Mode Switch once. Then, continue following the directions above to progress to desired mode.

NOTE:

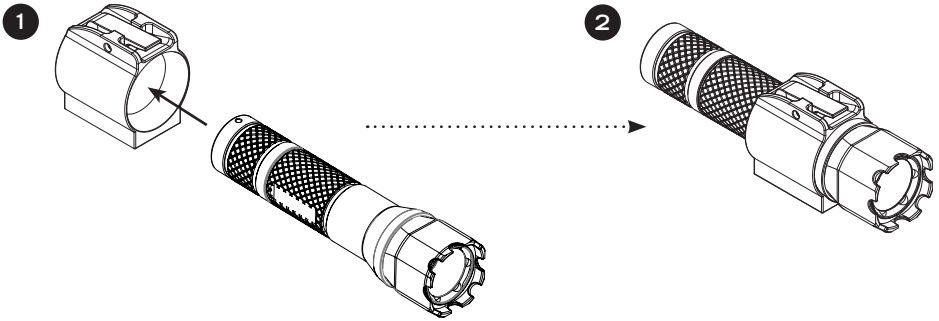
- ❖ The light does not retain the mode in memory. Once you turn the flashlight ON, you will have to re-select the mode you desire.
- ❖ When the light is ON in any mode, a rear green warning light will flash (excluding Picatinny model).

The flashlight is easily securable and removable by using the unique SideSlide Release Lever.

INSERTING AND REMOVING THE SIDESLIDE FROM THE HOLDER

TO INSERT THE FLASHLIGHT INTO THE HOLDER:

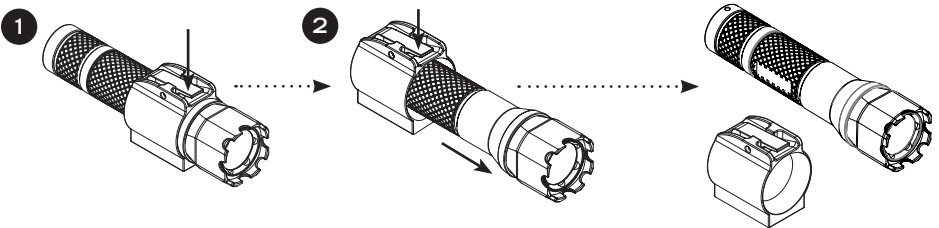
1. Insert the flashlight by pushing it into the beveled opening on the front of



the Holder.

2. Once locked, the Release Lever falls into a groove on the handle, securing the flashlight in place.

TO REMOVE THE FLASHLIGHT FROM THE HOLDER:



1. Press and hold the Release Lever.
2. While keeping the Release Lever pressed, pull flashlight out of the Holder.

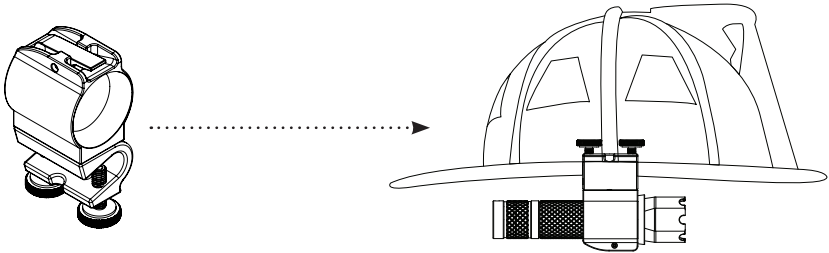
INSTALLATION OF YOUR SIDESLIDE MOUNT

SIDESLIDE C-CLAMP

The C-Clamp can be mounted on the right or left side of the helmet, above or below the brim (based on user preference).

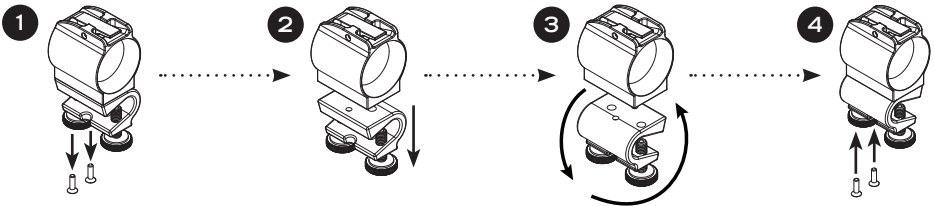
TO MOUNT ON THE RIGHT SIDE OF A HELMET:

Place mount on helmet at desired location and tighten thumbscrews.



TO MOUNT ON THE LEFT SIDE OF A HELMET:

There are two (2) screws which allow you to separate the C-Clamp from the Holder and flip it 180° so that it can be worn on the left side of a helmet.



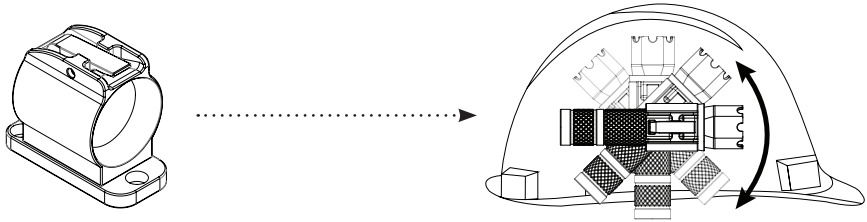
1. Using a 2 mm AF Hex Key* twist the screws counter-clockwise to remove.
2. Pull C-Clamp mount away from Holder.
3. Spin C-Clamp mount 180°.
4. Align holes on the C-Clamp mount with holes on the Holder. Re-insert screws and tighten with Hex Key, turning clockwise until secured.
OPTIONAL TIP: Apply Loctite™ as needed to secure screws.

*2 mm AF Hex Key not included

INSTALLATION OF YOUR SIDESLIDE MOUNT

SIDESLIDE BOLT

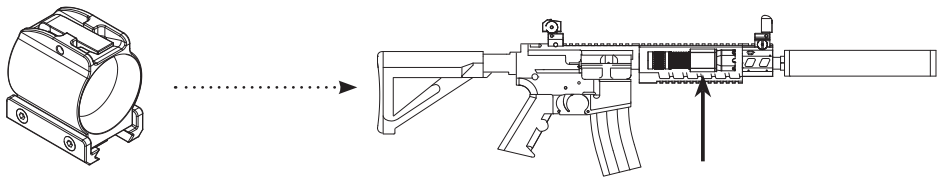
This mount has the ability to rotate and provide usable light at eight (8) distinct positions, every 45°.



NOTE: Three (3) M4.0 Cap Head screws are needed to attach the mount to a helmet. Length of screws is determined by thickness of the users helmet.

SIDESLIDE PICATINNY

Mounts on rifle, shotgun and helmet with Picatinny/MIL-STD 1913 rail.



WARRANTY AND OTHER INFORMATION

PRODUCT DURABILITY



Meets NFPA 1971-2007 Fire Resistant Requirements: 500°F (260°C) for 30 minutes

REFLECTIVE STICKER

For P/N 940K-010FI & 940K-010RSC only. For your safety, and increased visibility, a reflective sticker (enclosed in box) may be placed on the side of the SideSlide.

CARE/CLEANING

Your FoxFury product is a professional tool, but regular maintenance and care of your light will maximize performance for you. As needed, wash your FoxFury product using a soft washcloth, clean water and a mild soap. Be sure that the flashlight's Tailcap is SEALED before washing. When done, pat dry with a damp cloth.

AVAILABLE ACCESSORIES

- ❖ C-Clamp Adaptor, P/N 85-010
- ❖ Bolt Adaptor, P/N 85-011
- ❖ Picatinny Adaptor, P/N 85-012
- ❖ Flashlight for C-Clamp & Bolt P/N 940-010FI
- ❖ Flashlight for Picatinny P/N 940-012
- ❖ Pressure Switch Cap (Picatinny Only), P/N 50-150

❖ 18650 Rechargeable Battery, P/N 70-18650R

❖ Battery Charger & Adaptor - AA, 18650, P/N 600-155

WARNINGS

FoxFury, LLC is not responsible for the incorrect use of any FoxFury Lighting product.

- ❖ Lights are strong enough to cause damage to the human eye.
- ❖ Do not stare into LEDs for long periods of time or from a close range (less than 2 ft).
- ❖ FoxFury, LLC is not responsible for any injury or damage caused during the use of this product.
- ❖ Usage of this product must be supervised by an adult when it is being used by a minor.
- ❖ Any FoxFury product should be operated at speeds safe enough to maneuver around surrounding obstacles.
- ❖ Do not use under the influence of drugs or alcohol.

LIMITED LIFETIME WARRANTY

FoxFury, LLC ("FoxFury") warrants this product to be free from defects in material for a lifetime of use except for batteries, LEDs, abuse, and normal wear. We will repair or replace this product should we determine it to be defective. This limited lifetime warranty excludes rechargeable

batteries, chargers, switches, and electronics, which have a 2-year warranty with proof of purchase.

This limited lifetime warranty is given only to the original end user of the accompanying product. If you purchased a product from someone other than an authorized FoxFury reseller/distributor or if the product was used, (including but not limited to demo models, show models or refurbished product by someone other than FoxFury) prior to your purchase, you are not the Original Purchaser and the product that you purchased is not covered by this warranty. This limited warranty is VOID if this Product has been altered or modified in any way (including but not limited to attempted warranty repair without authorization from Foxfury and/or alteration/removal of the serial number). To expedite warranty concerns, we encourage the end user to register their FoxFury Product at www.foxfury.com/pages/warranty-registration.

THIS IS THE ONLY WARRANTY, EXPRESSED OR IMPLIED, INCLUDING ANY WARRANTY OF MERCHANTABILITY OR FITNESS FOR A PARTICULAR PURPOSE. INCIDENTAL, CONSEQUENTIAL OR SPECIAL DAMAGES ARE EXPRESSLY DISCLAIMED EXCEPT WHERE SUCH LIMITATION IS PROHIBITED BY LAW.

You may have other specific legal rights which vary by jurisdiction. Go to www.foxfury.com/pages/warranty for a complete copy of the warranty. Retain your receipt for proof of purchase.

CONTACT FOXFURY

FoxFury, LLC
Oceanside, CA 92056 USA
Toll-Free: 844-FOXFURY
Tel: 760.945.4231
Fax: 760.433.3650
Email: service@FoxFury.com
Web: FoxFury.com

All FoxFury products are designed in Oceanside, CA. All FoxFury products are manufactured with the highest quality USA and foreign parts. Products are assembled in either FoxFury's controlled plant in Asia or the USA, under strict quality control.

CALIFORNIA PROPOSITION 65

This product can expose you to chemicals including Lead and DEHP, which are known to the State of California to cause cancer and birth defects or other reproductive harm. For more information go to www.P65Warnings.ca.gov.

